

100MM STAINLESS STEEL GAUGE

OBSOLETE
(Subject to available inventory)

- Liquid Filled or Dry
- Field Fillable
- Ranges to 10,000 psi
- Heavy Duty Stainless Steel

Marsh Instruments Stainless Steel Gauges are built for extended life, and designed for harsh and corrosive environments. These stainless steel gauges feature top fill plugs and are field fillable. Pressure ranges are available to 10,000 psi. Marsh Liquid Filled Gauges offer significant cushioning and dampening which reduces pointer flutter and internal gauge damage.

Typical applications include refineries, chemical plants, offshore platforms, oil rigs, marine applications, general industrial application and OEM processes.



SPECIFICATIONS

ACCURACY

ASME Grade 1A - ± 1.0% of range across full scale

CASE SIZES

100mm diameter (4")

CASE MATERIAL

304 Stainless Steel

CASE STYLES

UC - U-Clamp Mount

FF - Front Flange Mount

TUBE & SOCKET

316 Stainless Steel

MOVEMENT

Stainless Steel

CONNECTION

1/4" NPT lower or lowerback connection

RANGES

30 to 10,000 psi

DIAL STANDARD

Dual scale psi and kPa

DIAL COLOR

Black markings on white

POINTER

Aluminum, black painted

WINDOW

Acrylic

FILL MEDIUM

See options

VENT

Rubber plug with snip-off feature

WEIGHT

Filled 2.0 lb.

Dry 1.6 lb.

STANDARD RANGES & PART NUMBERS

TYPE	100MM STAINLESS STEEL GAUGES	
Size	100mm	100mm
Case Material	Stainless Steel	Stainless Steel
Internals	316 Stainless Steel	316 Stainless Steel
Mounting / Case Style	UC	FF
Connection	1/4 NPT	1/4 NPT
Scale Standard	psi/kPa	psi/kPa
0 to 30 psi	H10842	H10842R
0 to 60 psi	H10846	H10846R
0 to 100 psi	H10848	H10848R
0 to 160 psi	H10852	H10852R
0 to 200 psi	H10854	H10854R
0 to 300 psi	H10858	H10858R
0 to 400 psi	H10860	H10860R
0 to 600 psi	H10864	H10864R
0 to 1,000 psi	H10872	H10872R
0 to 1,500 psi	H10874	H10874R
0 to 2,000 psi	H10876	H10876R
0 to 3,000 psi	H10878	H10878R
0 to 5,000 psi	H10882	H10882R
0 to 10,000 psi	H10890	H10890R

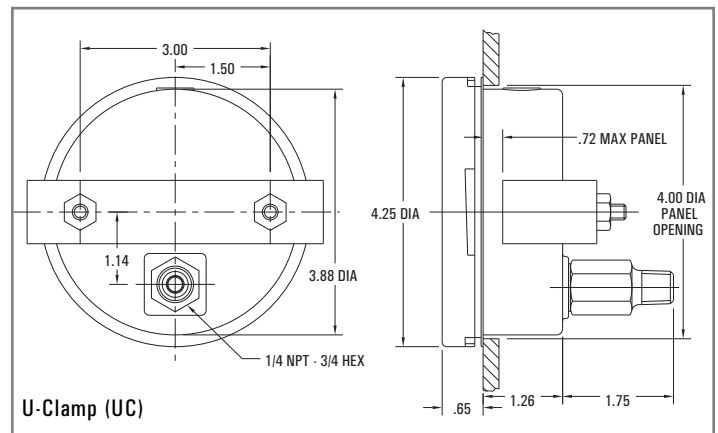
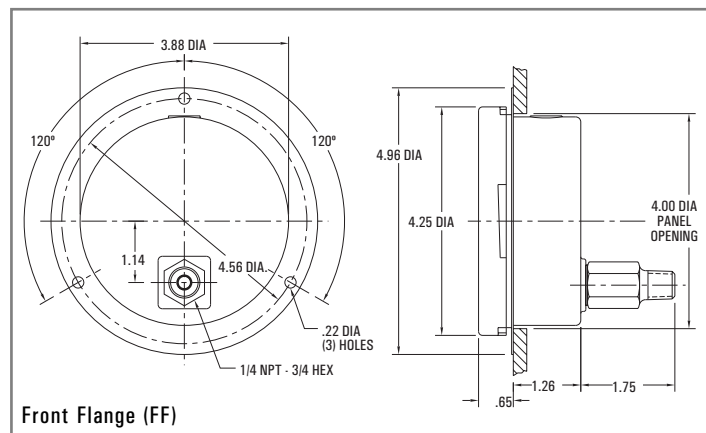
To order filled, see filling chart below.

100MM STAINLESS STEEL GAUGE OPTIONS

OPTION	TYPE	SUFFIX	AVAILABLE ON MODELS
Fill Medium	Dry (no fill)	Standard	All ranges
	Glycerine (GL)	Add suffix P	
	Silicone (SL)	Add suffix PI	

DIMENSIONS

ALL DIMENSIONS ARE NOMINAL



QUALITY SERIES 100MM STAINLESS STEEL INTERNAL GAUGE

- Liquid Filled or Dry - Field Fillable
- Adjustable Micrometer Pointer
- Ranges to 15,000 psi
- Safety Glass Window

Marsh Stainless Steel gauges are built for extended life and are designed for harsh and corrosive environments. They feature a top fill plug, polished bayonet ring and are field fillable. Liquid filled gauges offer significant cushioning and dampening plus extend the life of a gauge.

Typical applications include Oil patch, Refineries, Oil Rigs, Control Panels, Offshore Platforms, Marine and General Industrial.

- NACE: MR0175
Gauges met NACE standards for material and hardness

New!

New!

STANDARD RANGES & PART NUMBERS

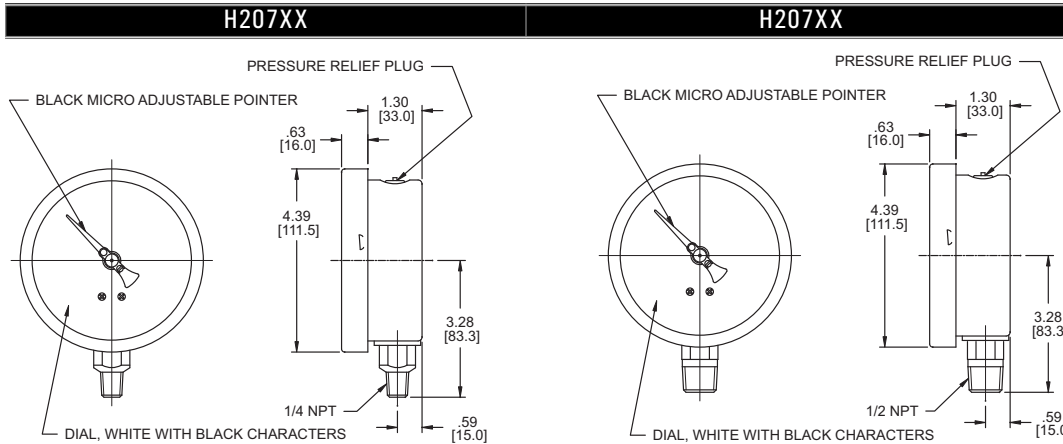
TYPE	QUALITY SERIES 100MM SS INTERNAL		
Size	100mm	100mm	NACE 100mm
Case Material	Stainless Steel	Stainless Steel	Stainless Steel
Internals	316 SS	316 SS	316 SS
Mounting / Case Style	LM	LM	LM
Connection	¼ NPT	½ NPT	½ NPT
Scale Standard	psi/kPa	psi/kPa	psi/kPa
0 to 30" Hg Vacuum	H20705	H20905	
0 to 15 psi	H20740	H20940	HN20940
0 to 30 psi	H20742	H20942	HN20942
0 to 60 psi	H20746	H20946	HN20946
0 to 100 psi	H20748	H20948	HN20948
0 to 160 psi	H20752	H20952	HN20952
0 to 200 psi	H20754	H20954	HN20954
0 to 300 psi	H20758	H20958	HN20958
0 to 400 psi	H20760	H20960	HN20960
0 to 600 psi	H20764	H20964	HN20964
0 to 1,000 psi	H20772	H20972	HN20972
0 to 1,500 psi	H20774	H20974	HN20974
0 to 2,000 psi	H20776	H20976	HN20976
0 to 3,000 psi	H20778	H20978	HN20978
0 to 5,000 psi	H20782	H20982	HN20982
0 to 10,000 psi	H20790	H20990	HN20990
0 to 15,000 psi	H20792	H20992	HN20992
0 to 20,000 psi	H20794	H20994	HN20994



SPECIFICATIONS

- ACCURACY**
ASME Grade 1A - ± 1.0% of range across full scale
- CASE SIZES**
100mm diameter (4")
- CASE MATERIAL**
304 Stainless Steel
- CASE STYLES**
LM - Lower Mount
- TUBE & SOCKET**
316 Stainless Steel Welded to Case
- MOVEMENT** Stainless Steel
- CONNECTION**
¼ NPT (H207xx), ½ NPT (H209xx)
- RANGES**
Vacuum to 20,000 psi

ALL DIMENSIONS ARE NOMINAL



To order filled, see filling chart below.

QUALITY SERIES 100MM STAINLESS STEEL INTERNAL GAUGE OPTIONS			
OPTION	TYPE	SUFFIX	AVAILABLE ON MODELS
Fill Medium	Dry (no fill)	Standard	All ranges
	Glycerine (GL)	Add suffix P	
	Silicone (SL)	Add suffix PI	
Catalog Dials	psi only	E	
	Bar only	L1	
	kg/cm ² only	L2	
	kPa only	L3	
	MPa only	L4	
	psi & BAR	W1	
psi & kg/cm ²	W2		
	psi & MPa	W4	



QUALITY SERIES 100MM COPPER ALLOY INTERNAL GAUGE

- Liquid Filled or Dry
- Removable polished bayonet ring
- Ranges to 10,000 psi
- Safety Glass Window

Stainless steel case with copper alloy internals. Ideal for heavy duty service in industrial and commercial environments. Features robust design with removable polished bayonet ring and adjustable pointer. Field fillable.

Typical applications include industrial machinery, oil field equipment and controls, wellheads, pipeline and general industrial.



SPECIFICATIONS

ACCURACY

ASME Grade 1A - ±1.0% of range across full scale

CASE SIZES

100mm diameter (4")

CASE MATERIAL

304 Stainless Steel

CASE STYLES

LM - Lower Mount

TUBE & SOCKET

Copper alloy

MOVEMENT

Stainless Steel

CONNECTION

¼ and ½ NPT lower mount

RANGES

Vacuum to 10,000 psi

DIAL STANDARD

Single scale psi

DIAL COLOR

Black markings on white

POINTER

Aluminum, black painted, micro-adjustable

WINDOW

Safety Glass

FILL MEDIUM

See options

VENT

Rubber plug with snip-off feature

WEIGHT

Filled 2.0 lb.

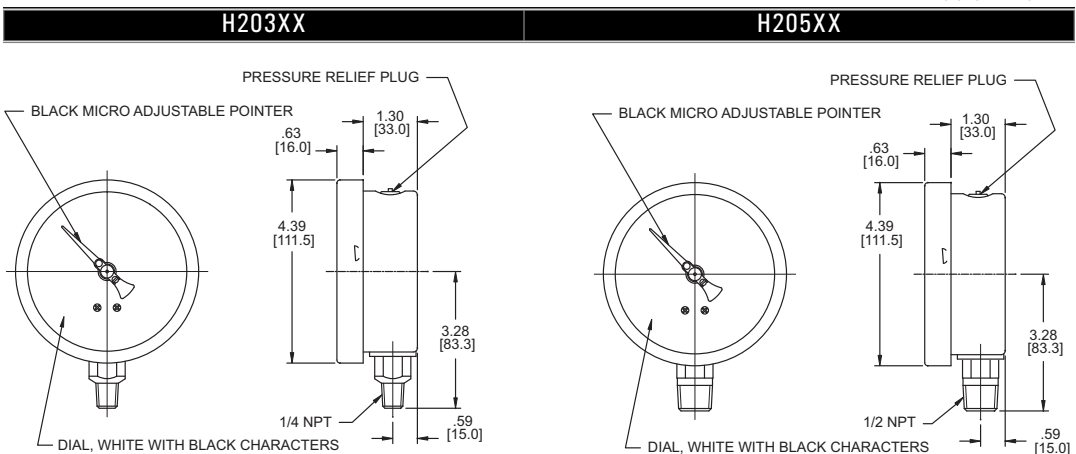
Dry 1.3 lb.

New!

STANDARD RANGES & PART NUMBERS

TYPE	QUALITY SERIES 100MM COPPER ALLOY INTERNAL	
	100mm	100mm
Size	100mm	100mm
Case Material	Stainless Steel	Stainless Steel
Internals	Copper Alloy	Copper Alloy
Mounting / Case Style	LM	LM
Connection	¼ NPT	½ NPT
Scale Standard	psi	psi
0 to 30" Hg Vacuum	H20305	H20505
0 to 15 psi	H20340	H20540
0 to 30 psi	H20342	H20542
0 to 60 psi	H20346	H20546
0 to 100 psi	H20348	H20548
0 to 160 psi	H20352	H20552
0 to 200 psi	H20354	H20554
0 to 300 psi	H20358	H20558
0 to 400 psi	H20360	H20560
0 to 600 psi	H20364	H20564
0 to 1,000 psi	H20372	H20572
0 to 1,500 psi	H20374	H20574
0 to 2,000 psi	H20376	H20576
0 to 3,000 psi	H20378	H20578
0 to 5,000 psi	H20382	H20582
0 to 10,000 psi	H20390	H20590

ALL DIMENSIONS ARE NOMINAL



To order filled, see filling chart below.

QUALITY SERIES 100MM COPPER ALLOY INTERNAL GAUGE OPTIONS			
OPTION	TYPE	SUFFIX	AVAILABLE ON MODELS
Fill Medium	Dry (no fill)	Standard	All ranges
	Glycerine (GL)	Add suffix P	
	Silicone (SL)	Add suffix PI	
Catalog Dials	bar only	L1	
	kg/cm ² only	L2	
	kPa only	L3	
	MPa only	L4	
	psi & BAR	W1	
	psi & kg/cm ²	W2	
	psi & kPa	W3	
psi & MPa	W4		



'HW' 160MM STAINLESS STEEL GAUGE

- Liquid Filled or Dry - Field Fillable
- Socket Welded to the Case
- Ranges to 20,000 psi
- Heavy Duty All Stainless Steel

Marsh Instruments Stainless Steel Gauges are built for extended life, and designed for harsh and corrosive environments. These stainless steel gauges feature top fill plugs and are field fillable. Pressure ranges are available to 20,000psi. Marsh Liquid Filled Gauges offer significant cushioning and dampening which reduces pointer flutter and internal gauge damage.

Typical applications include refineries, chemical plants, offshore platforms, oil rigs, marine applications, general industrial application and OEM processes.

STANDARD RANGES & PART NUMBERS

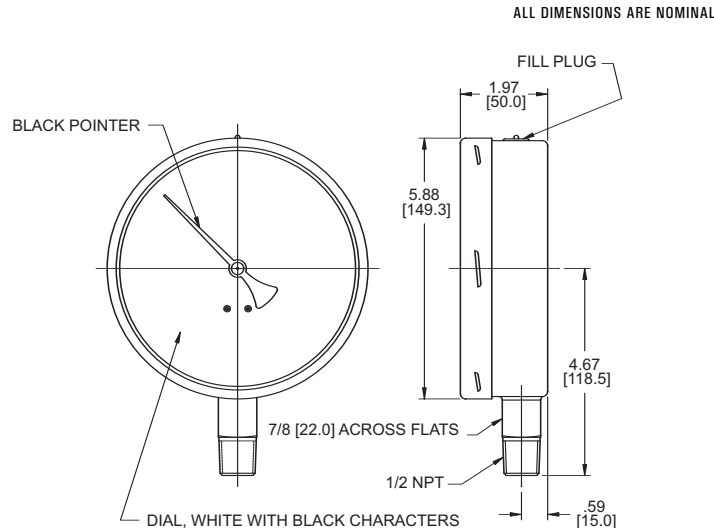
TYPE	'HW' 160MM SS GAUGES
Size	160mm
Case Material	304 Stainless Steel
Internals	316 Stainless Steel
Mounting / Case Style	LM
Connection	1/2 NPT
Scale Standard	psi/kPa
0 to 15 psi	
0 to 30 psi	HW30942
0 to 60 psi	HW30946
0 to 100 psi	HW30948
0 to 160 psi	HW30952
0 to 200 psi	HW30954
0 to 300 psi	HW30958
0 to 400 psi	HW30960
0 to 600 psi	HW30964
0 to 1,000 psi	HW30972
0 to 1,500 psi	HW30974
0 to 2,000 psi	HW30976
0 to 3,000 psi	HW30978
0 to 5,000 psi	HW30982
0 to 10,000 psi	HW30990
0 to 20,000 psi	HW30994

NOTE: Items are available on special order. However, minimums and lead times apply. Consult factory. NOTE: To order filled, consult filling chart below.



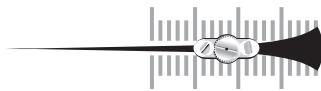
SPECIFICATIONS

ACCURACY	ASME Grade 1A - ± 1.0% of range across full scale
CASE SIZES	160mm diameter (6")
CASE MATERIAL	304 Stainless Steel
CASE STYLES	LM - Lower Mount
TUBE & SOCKET	316 Stainless steel welded to the case
MOVEMENT	Stainless Steel
CONNECTION	1/2 NPT
RANGES	15 to 20,000 psi
DIAL STANDARD	Dual scale psi and kPa
DIAL COLOR	Black markings on white
POINTER	Aluminum, black painted
WINDOW	Safety glass
FILL MEDIUM	See options
VENT	Rubber plug with snip-off feature
WEIGHT	Filled 4.0 lb. Dry 3.4 lb.



'HW' 160MM STAINLESS STEEL GAUGE OPTIONS

OPTION	TYPE	SUFFIX	AVAILABLE ON MODELS
Fill Medium	Dry (no fill)	Standard	All ranges
	Glycerine (GL)	Add suffix P	
	Silicone (SL)	Add suffix PI	
Catalog Dials	psi only	E	
	BAR only	L1	
	kg/cm ² only	L2	
	kPa only	L3	
	MPa only	L4	
	psi & BAR	W1	
	psi & kg/cm ²	W2	
psi & MPa	W4		



100MM ELITE STAINLESS STEEL GAUGE

- All Stainless Steel
- Field Fillable
- Ranges to 10,000 psi
- Liquid Filled or Dry
- Solid Front Design – Safecase

Marsh Instruments all stainless steel gauges are built for extended life, and designed for harsh and corrosive environments. These stainless steel gauges feature top fill plugs and are field fillable. Marsh Liquid Filled Gauges offer significant cushioning and dampening which reduces pointer flutter and internal gauge damage.

Typical applications include refineries, chemical plants, offshore platforms, oil rigs, marine applications, general industrial application and OEM processes.

SPECIFICATIONS

ACCURACY

ASME Grade 1A – ± 1.0% of range across full scale

CASE SIZES

100mm diameter (4")

CASE MATERIAL

304 Stainless Steel

CASE STYLE

Solid front & blow-out back
Safecase construction
LM – Lower Mount

TUBE & SOCKET

316 Stainless Steel

MOVEMENT

Stainless Steel

CONNECTION

½ NPT

RANGES

30 to 10,000 psi
and 0 to 30" VAC Hg

DIAL STANDARD

Dual scale psi and kPa

DIAL COLOR

Black markings on white

POINTER

Aluminum, black painted

WINDOW

Safety glass

FILL MEDIUM

See Options

VENT

Internal compensating diaphragm

WEIGHT

Filled 3.0 lb.
Dry 2.4 lb.

STANDARD RANGES & PART NUMBERS

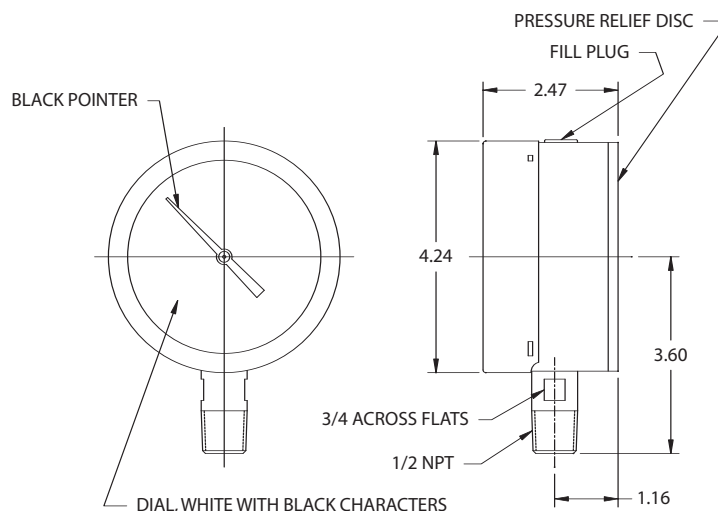
TYPE	100MM ELITE STAINLESS STEEL GAUGES
Size	100mm
Case Material	304 Stainless Steel
Internals	316 Stainless Steel
Mounting/Case Style	LM
Connection	½ NPT
Scale Standard	psi/kPa
0 to 30" Hg VAC	W9605
0 to 30 psi	W9642
0 to 60 psi	W9646
0 to 100 psi	W9648
0 to 200 psi	W9654
0 to 300 psi	W9658
0 to 600 psi	W9664
0 to 1,000 psi	W9672
0 to 1,500 psi	W9674
0 to 2,000 psi	W9676
0 to 3,000 psi	W9678
0 to 5,000 psi	W9682
0 to 10,000 psi	W9690

NOTE: To order filled, consult filling chart below.

100MM ELITE STAINLESS STEEL GAUGE OPTIONS

OPTION	TYPE	SUFFIX	AVAILABLE ON MODELS
Fill Medium	Dry (no fill)	Standard	All ranges
	Glycerine (GL)	Add suffix P	All ranges
	Silicone (SL)	Add suffix PI	All ranges

ALL DIMENSIONS ARE NOMINAL



QUALITY GAUGE

- Dial Sizes: 3½" and 4½"
- 3 Case Styles
- Recalibrator Standard on 3½"; Adjustable pointer standard on 4½"
- Ranges to 20,000 psi

Marsh Quality Gauges feature the exclusive recalibrator and the accuracy is within ±1% in the middle half of span. These gauges provide continuous service at an economical price.

Typical applications include air compressors, reciprocating pumps, boilers, engines, hydraulic presses and countless other industrial and OEM applications.



STANDARD RANGES & PART NUMBERS

TYPE	QUALITY GAUGES						
	With Recalibrator				With Adjustable Pointer		
Size	3½"				4½"		
Pressure Element	1,000 PSI and below / Copper Alloy, above 1,000 PSI / SS						
Case Material	Steel				Steel		
Mounting	LM	LM	LBM	LBM	LM	LM	LBM
Connection	¼ NPT	¼ NPT	¼ NPT	¼ NPT	¼ NPT	¼ NPT	¼ NPT
Case Style	P	G	G	F	P	P	F
Scale Standard	psi	psi	psi	psi	psi	psi	psi
0 to 30" Hg VAC	H0205	H1205	H1805	H2005	H4205	H4805	H6005
30" Hg VAC to 30 psi	H0212	H1212	H1812	H2012	H4212	H4812	H6012
30" Hg VAC to 60 psi	H0214	H1214	H1814	H2014	H4214	H4814	H6014
30" Hg VAC to 150 psi	H0218	H1218	H1818	H2018	H4218	H4818	H6018
30" Hg VAC to 300 psi	H0224	H1224	H1824	H2024	H4224	H4824	H6024
0 to 15 psi	H0240						
0 to 30 psi	H0242	H1242	H1842	H2042	H4242	H4842	H6042
0 to 60 psi	H0246	H1246	H1846	H2046	H4246	H4846	H6046
0 to 100 psi	H0248	H1248	H1848	H2048	H4248	H4848	H6048
0 to 160 psi	H0252	H1252	H1852	H2052	H4252	H4852	H6052
0 to 200 psi	H0254	H1254	H1854	H2054	H4254	H4854	H6054
0 to 300 psi	H0258	H1258	H1858	H2058	H4258	H4858	H6058
0 to 400 psi	H0260	H1260	H1860	H2060	H4260	H4860	H6060
0 to 600 psi	H0264	H1264	H1864	H2064	H4264	H4864	H6064
0 to 1,000 psi	H0272	H1272	H1872	H2072	H4272	H4872	H6072
0 to 1,500 psi	H0274	H1274	H1874	H2074		H4874	
0 to 2,000 psi	H0276	H1276	H1876	H2076		H4876	
0 to 3,000 psi	H0278	H1278	H1878	H2078		H4878	
0 to 4,000 psi	H0280	H1280	H1880	H2080			
0 to 5,000 psi	H0282	H1282	H1882	H2082		H4882	
0 to 6,000 psi	H0284	H1284	H1884	H2084			
0 to 10,000 psi	H0290	H1290	H1890	H2090		H4890	
0 to 15,000 psi	H0292	H1292	H1892	H2092			
0 to 20,000 psi	H0294	H1294	H1894	H2094			

NOTE: Items are available on special order. However, minimums and lead times apply. Consult factory.

SPECIFICATIONS

ACCURACY

ASME Grade A - ±2/1/2% (±1% of range in middle half of scale)

CASE SIZES

3½" and 4½" diameter
6" diameter (see options)

CASE MATERIAL

Steel, black painted

CASE STYLE

F - Front Flanged, Lower Back Mount with U-Clamp; 4½" has Hinged Ring (LBM)
G - Back Flanged case
P - Plain Case, Lower Mount

TUBE

0 - 1,000 PSI: Copper alloy
1,500 PSI - 20,000 PSI: Stainless Steel

SOCKET

Copper alloy

MOVEMENT

Stainless Steel

RECALIBRATOR

Standard 3½" only, 4½" has adjustable pointer

CONNECTION

¼ or ½ NPT

RANGES

0 to 30" Hg VAC; Compound 30" Hg VAC to 300 psi; 15 to 20,000 psi

DIAL STANDARD

Single scale psi

DIAL COLOR

Black markings on white

POINTER

Aluminum, black painted

WINDOW

Instrument Glass

WEIGHT

3½" 2.0 lb.
4½" 3.0 lb.



QUALITY GAUGES

Dial Divisions	Quality Gauge 2/1 1/2% of Span		
----------------	-----------------------------------	--	--

Ranges	Figure Intervals	Minor Graduations
--------	------------------	-------------------

Vacuum	3	0.2
--------	---	-----

COMPOUND

30" Hg VAC to 15 psi	5	3	0.5	0.2
----------------------	---	---	-----	-----

30" Hg VAC to 30 psi	10	5	1	0.5
----------------------	----	---	---	-----

30" Hg VAC to 60 psi	10	10	1	0.5
----------------------	----	----	---	-----

30" Hg VAC to 150 psi	30	30	2	1
-----------------------	----	----	---	---

30" Hg VAC to 300 psi	30	30	5	2
-----------------------	----	----	---	---

PRESSURE

0 to 15 psi	1	0.1
-------------	---	-----

0 to 30 psi	5	0.2
-------------	---	-----

0 to 60 psi	5	0.5
-------------	---	-----

0 to 100 psi	10	1
--------------	----	---

0 to 160 psi	20	2
--------------	----	---

0 to 200 psi	20	2
--------------	----	---

0 to 300 psi	50	2
--------------	----	---

0 to 400 psi	50	2
--------------	----	---

0 to 600 psi	50	5
--------------	----	---

HIGH PRESSURE

0 to 1,000 psi	100	10
----------------	-----	----

0 to 1,500 psi	300	20
----------------	-----	----

0 to 2,000 psi	200	20
----------------	-----	----

0 to 3,000 psi	500	20
----------------	-----	----

0 to 4,000 psi	500	50
----------------	-----	----

0 to 5,000 psi	500	50
----------------	-----	----

0 to 6,000 psi	1,000	100
----------------	-------	-----

0 to 10,000 psi	1,000	100
-----------------	-------	-----

0 to 15,000 psi	3,000	200
-----------------	-------	-----

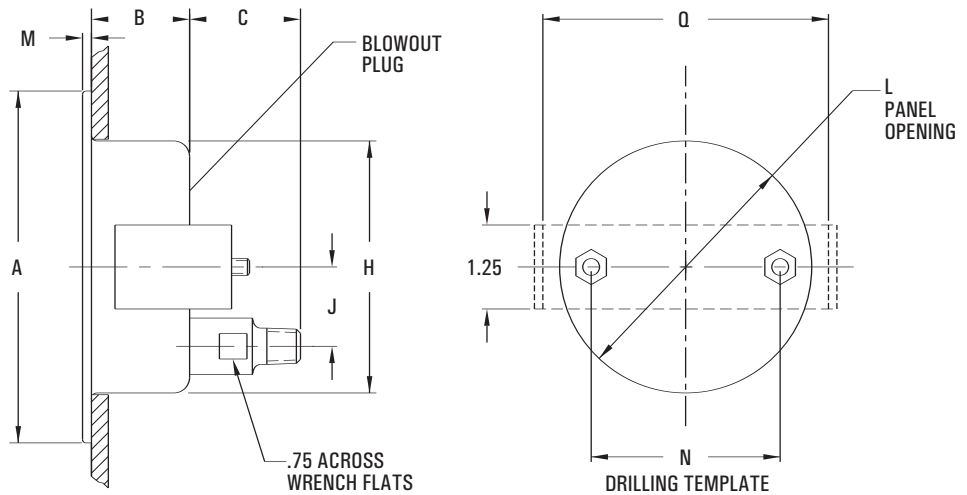
0 to 20,000 psi	2,000	200
-----------------	-------	-----

QUALITY GAUGE OPTIONS

OPTION	TYPE	SUFFIX	AVAILABLE ON MODELS
Restrictors	Add restrictor	H	All ranges
	bar only	L1	
Catalog Dials	kg/cm ² only	L2	See Marsh Price List for minimum
	kPa only	L3	
	MPa only	L4	
	psi & bar	W1	
	psi & kg/cm ²	W2	
	psi & kPa	W3	
	psi & MPa	W4	
Custom Dials	Logo or Custom Face	M	All models - consult factory
Window	Acrylic (AY)	F2	3 1/2" - 4 1/2"
	Safety Glass (SG)	F3	3 1/2" - 4 1/2"
Increased Accuracy	Grade 1A: ± 1% full scale	B	All models
Cases	Aluminum Back Flange	J	4 1/2" - 6" consult factory
	Steel Hinged Ring Case	J	6" consult factory

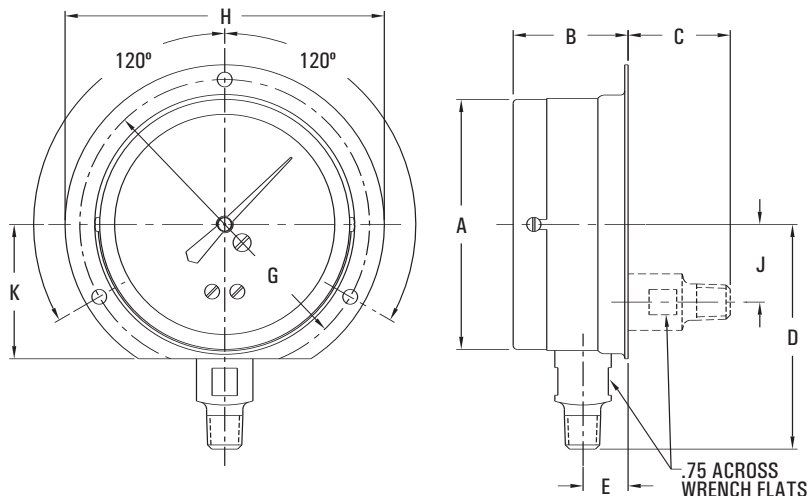
CASE PATTERNS & DIMENSIONS

ALL DIMENSIONS ARE NOMINAL



Size	A	B	C	H	J	L	M	N	Q
3 1/2"	4.86	1.66	1.55	3.75	1.16	3.75	.11	2.81	4.25
4 1/2"	6.31	1.39	2.15	4.81	1.27	4.88	.11	3.88	5.31

ALL DIMENSIONS ARE NOMINAL



Size	A	B	C	D	E	G	J	K	Panel Mounting
3 1/2"	3.72	1.69	1.55	3.34	.67	4.31	1.16	2.00	.22





TEST GAUGE · /- 0.5%

- Adjustable Micrometer Knife-Edge Pointer with Mirror Dial
- Stainless Steel Movement
- Dial Size: 4½"
- Ranges to 10,000 psi

The Marsh Test Gauge is designed with a black painted steel housing and the choice of copper alloy or 316 stainless steel tube and socket to meet the demanding service needs of various test gauge applications. Accuracy is $\pm 0.5\%$ of full span. A highly polished integral mirror is positioned between the two graduation arcs on the dial face. The knife-edge pointer is reflective so that, when the pointer and its reflection are in alignment, parallax is virtually eliminated and a true dial reading is assured.

Typical applications include test stands, aviation ground support, petroleum, chemical, utilities, industrial vessels and panel builders.

STANDARD RANGES & PART NUMBERS

TYPE	TEST GAUGES						
	4½"			4½"			
Size	Copper Alloy			Stainless Steel			
Internals	Steel	Steel	Steel	Steel	Steel	Steel	Steel
Case Material	LM	LM	LBM	LM	LM	LBM	LBM
Mounting	P	P	F	P	P	F	F
Connection	¼ NPT	½ NPT	¾ NPT	¼ NPT	½ NPT	¾ NPT	¾ NPT
Scale Standard	psi			psi			
0 to 30" Hg VAC	D0205	D0605	D1205	D5205	D5605	D6105	D6405
30" Hg VAC to 15 psi	D0210	D0610	D1210	D5210	D5610	D6110	D6410
30" Hg VAC to 30 psi	D0212	D0612	D1212	D5212	D5612	D6112	D6412
30" Hg VAC to 60 psi	D0214	D0614	D1214	D5214	D5614	D6114	D6414
0 to 15 psi	D0240	D0640	D1240	D5240	D5640	D6140	D6440
0 to 30 psi	D0242	D0642	D1242	D5242	D5642	D6142	D6442
0 to 60 psi	D0246	D0646	D1246	D5246	D5646	D6146	D6446
0 to 100 psi	D0248	D0648	D1248	D5248	D5648	D6148	D6448
0 to 160 psi	D0252	D0652	D1252	D5252	D5652	D6152	D6452
0 to 200 psi	D0254	D0654	D1254	D5254	D5654	D6154	D6454
0 to 300 psi	D0258	D0658	D1258	D5258	D5658	D6158	D6458
0 to 400 psi	D0260	D0660	D1260	D5260	D5660	D6160	D6460
0 to 600 psi	D0264	D0664	D1264	D5264	D5664	D6164	D6464
0 to 1,000 psi				D5272	D5672	D6172	D6472
0 to 1,500 psi				D5274	D5674	D6174	D6474
0 to 2,000 psi				D5276	D5676	D6176	D6476
0 to 3,000 psi				D5278	D5678	D6178	D6478
0 to 5,000 psi				D5282	D5682	D6182	D6482
0 to 10,000 psi				D5290	D5690	D6190	D6490

SPECIFICATIONS

- ACCURACY**
ASME Grade 2A - $\pm 0.5\%$ of range across full scale
- CASE SIZE**
4½" diameter
- CASE MATERIAL**
Steel, Black Painted
- CASE STYLE**
F - Front Flanged with U-clamp and hinged ring (LBM)
P - Plain Case Lower Mount (LM)
- TUBE & SOCKET**
Copper alloy or 316 Stainless Steel
- MOVEMENT**
Stainless Steel
- CONNECTION**
¼ or ½ NPT
- RANGES**
0 to 30" Hg VAC; Compound 30" Hg to 60 psi; 15 to 10,000 psi
- DIAL STANDARD**
single scale psi
- DIAL COLOR**
Black markings on white with mirror dial to avoid parallax
- POINTER**
Aluminum, black painted, micro-adjustable, knife-edge
- WINDOW**
Instrument Glass
- PRESSURE RELIEF**
Blowout plug
- WEIGHT** 3.0 lb.



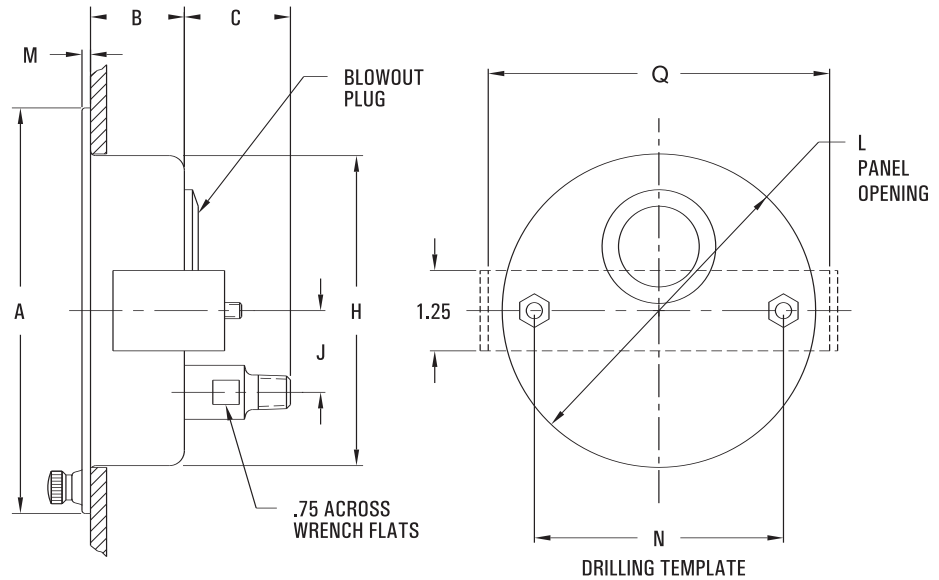


Dial Divisions	Test Gauge 0.50% of Span		
Ranges	Figure Intervals	Minor Graduations	
Vacuum	2	0.1	
COMPOUND			
30" Hg VAC to 15 psi	5	3	0.2
30" Hg VAC to 30 psi	10	5	0.5
30" Hg VAC to 60 psi	10	5	1
30" Hg VAC to 150 psi	30	10	2
30" Hg VAC to 300 psi	30	30	5
PRESSURE			
0 to 15 psi	1		0.05
0 to 30 psi	2		0.1
0 to 60 psi	5		0.2
0 to 100 psi	10		0.5
0 to 160 psi	10		0.5
0 to 200 psi	20		1
0 to 300 psi	50		1
0 to 400 psi	50		2
0 to 600 psi	50		2
HIGH PRESSURE			
0 to 1,000 psi	100		5
0 to 1,500 psi	100		5
0 to 2,000 psi	200		10
0 to 3,000 psi	500		10
0 to 4,000 psi	500		20
0 to 5,000 psi	500		20
0 to 10,000 psi	1,000		50

TEST GAUGE OPTIONS			
OPTION	TYPE	SUFFIX	AVAILABLE ON MODELS
Restrictors	Add restrictor	H	All ranges
Catalog Dials	bar only	L1	See Marsh Price List for minimum
	kg/cm ² only	L2	
	kPa only	L3	
	MPa only	L4	
	psi & bar	W1	
	psi & kg/cm ²	W2	
	psi & kPa	W3	
	psi & MPa	W4	
Custom Dials	Logo or Custom Face	M	All models - consult factory
Window	Acrylic (AY)	F2	4½"
	Safety Glass (SG)	F3	4½"
Cases	4½" Polypropylene (TR)	J1	Consult Factory
	4½" Aluminum Back Flange	J2	
	4½" Aluminum Front Flange	J3	

CASE PATTERNS & DIMENSIONS

ALL DIMENSIONS ARE NOMINAL



Size	A	B	C	H	J	L	M	N	Q
4½"	6.31	1.39	2.31	4.81	1.27	4.88	.11	3.88	5.31





SPECIFICATIONS

ACCURACY
ASME Grade 3A – ±0.25% of range across full scale

CASE SIZE
6" (160mm) diameter

CASE MATERIAL
304 Stainless Steel

CASE STYLE
LM—Lower Mount

TUBE & SOCKET
Copper alloy

MOVEMENT
Stainless Steel

CONNECTION
¼" NPT through 600 psi
½" NPT 1000 psi & above

RANGES
0 to 30" Hg VAC; Compound 30" Hg to 60 psi; 15 to 10,000 psi

DIAL STANDARD
Single scale psi

DIAL COLOR
Black markings on white with mirror dial to avoid parallax

POINTER
Aluminum, black painted, knife-edge

WINDOW
Instrument Glass

PRESSURE RELIEF
Blowout plug

WEIGHT 5.0 lb.

MASTER TEST GAUGE (SERIES 'D')

- Knife-Edge Pointer with Mirror Dial
- External Dial Adjustment
- Dial Size: 6"
- Ranges to 10,000 psi

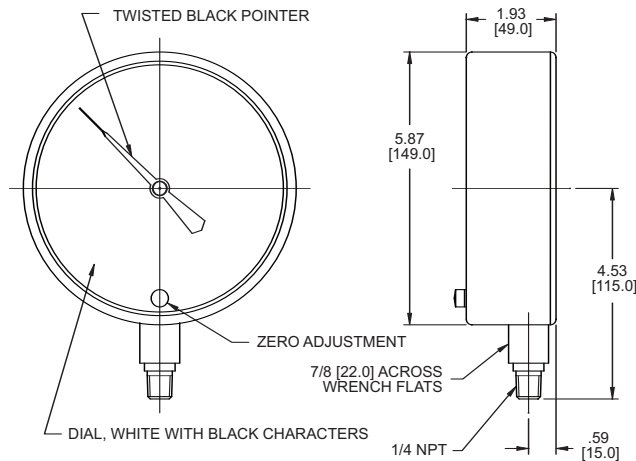
Marsh Master Test Gauges are used in precision laboratory applications and industrial environments where precise accuracy is demanded. For pressure readings to 10,000 psi, Marsh Master Test Gauges offer dependable, consistent accuracy within ±0.25% of span, meeting all requirements of ASME Grade 3A specifications. The pressure relieving blowout plug provides the increased safety required for potentially dangerous applications.

Typical applications include lab's, universities, automotive testing, government test facilities and pharmaceutical.

STANDARD RANGES & PART NUMBERS

TYPE	MASTER TEST GAUGES	
Size	6" (160mm)	
Case Material	Stainless Steel	
Internals	Copper Alloy	
Mounting / Case Style	LM	LM
Connection	¼ NPT	½ NPT
Scale Standard	psi	psi
0 to 30" Hg VAC	D31405	
30" Hg VAC to 15 psi	D31410	
30" Hg VAC to 30 psi	D31412	
30" Hg VAC to 60 psi	D31414	
0 to 15 psi	D31440	
0 to 30 psi	D31442	
0 to 60 psi	D31446	
0 to 100 psi	D31448	
0 to 160 psi	D31452	
0 to 200 psi	D31454	
0 to 300 psi	D31458	
0 to 400 psi	D31460	
0 to 600 psi	D31464	
0 to 1,000 psi		D31472
0 to 1,500 psi		D31474
0 to 2,000 psi		D31476
0 to 3,000 psi		D31478
0 to 5,000 psi		D31482
0 to 10,000 psi		D31490

ALL DIMENSIONS ARE NOMINAL



MASTER TEST GAUGE OPTIONS			
OPTION	TYPE	SUFFIX	AVAILABLE ON MODELS
Catalog Dials	bar only	L1	Consult Factory
	kg/cm ² only	L2	
	kPa only	L3	
	MPa only	L4	
	psi & bar	W1	
	psi & kg/cm ²	W2	
	psi & kPa	W3	
	psi & MPa	W4	
Custom Dials	Logo or Custom Face	M	
Window	Acrylic (AY)	F2	
	Safety Glass (SG)	F3	
Tube & Socket	Stainless Steel		



INSPECTOR'S TEST GAUGE

- 3" Dial
- Vacuum to 1,000 psi Range
- Recalibrator on Dial Face
- ASME Grade 2A Accuracy

Marsh Inspector's Test Gauges are specifically designed for use by steam boiler, air brake and pressure system inspectors. The rugged 3" Inspector's Test Gauge features a nickel-plated case and an accuracy of $\pm 0.5\%$ of span. The bushed Mastergauge movement with Recalibrator is standard for these gauges. Mating parts are of dissimilar metals to prevent seizing. Bearing sleeves are of bronze, and the sector is brass.

Typical applications include steam boiler, air brakes, pressure system inspectors, and for use on other testing applications.

STANDARD RANGES & PART NUMBERS

TYPE	INSPECTOR'S TEST GAUGES
Size	3"
Case Material	Nickel Plated Brass
Internals	Copper Alloy
Mounting / Case Style	LM
Connection	1/4 NPT
Scale Standard	psi/kPa
0 to 30" Hg VAC	D1505
0 to 15 psi	D1540
0 to 30 psi	D1542
0 to 60 psi	D1546
0 to 100 psi	D1548
0 to 160 psi	D1552
0 to 200 psi	D1554
0 to 300 psi	D1558
0 to 600 psi	D1564
0 to 1,000 psi	D1572

SPECIFICATIONS

ACCURACY

ASME Grade 2A - $\pm 0.5\%$ of span across full scale

CASE SIZES

3" diameter

CASE MATERIAL

Brass, Nickel Plated

CASE STYLE

Lower Mount with threaded ring

TUBE & SOCKET

Copper alloy

MOVEMENT

Brass

RECALIBRATOR

Standard

CONNECTION

1/4 NPT

RANGES

0 to 30" Hg VAC; 15 to 1,000 psi

DIAL STANDARD

Dual Scale psi/kPa

DIAL COLOR

Black markings on white

POINTER

Aluminum, black painted, knife-edge

WINDOW

Beveled glass

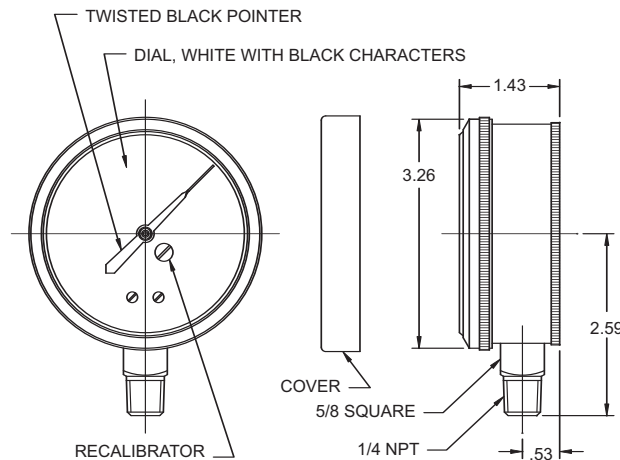
PROTECTIVE COVER

Opaque plastic lens cover

WEIGHT

2.0 lb.

ALL DIMENSIONS ARE NOMINAL



INSPECTOR'S TEST GAUGE OPTIONS

OPTION	TYPE	SUFFIX	AVAILABLE ON MODELS
Restrictors	Add restrictor	H	All ranges
Catalog Dials	psi only	E	See Marsh Price List for minimum
	bar only	L1	
	kg/cm ² only	L2	
	kPa only	L3	
	MPa only	L4	
	psi & bar	W1	
	psi & kg/cm ²	W2	
psi & MPa	W4		
Custom Dials	Logo or Custom Face	M	All models - consult factory

